

1

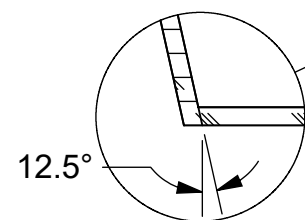
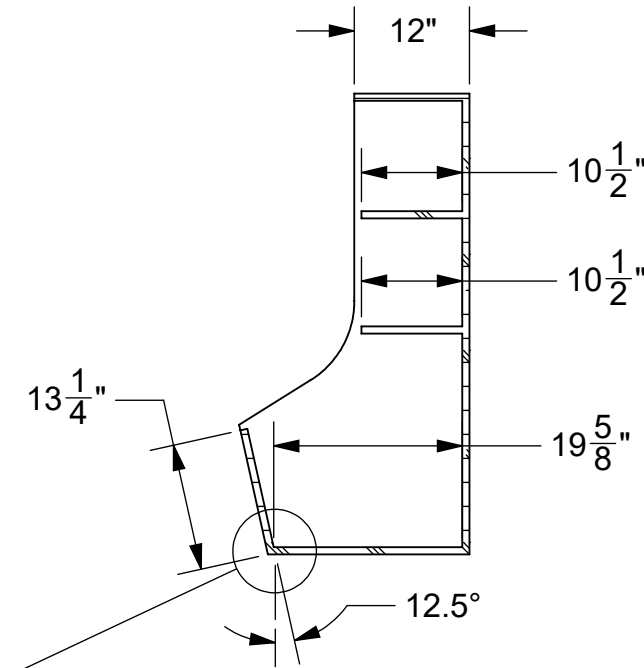
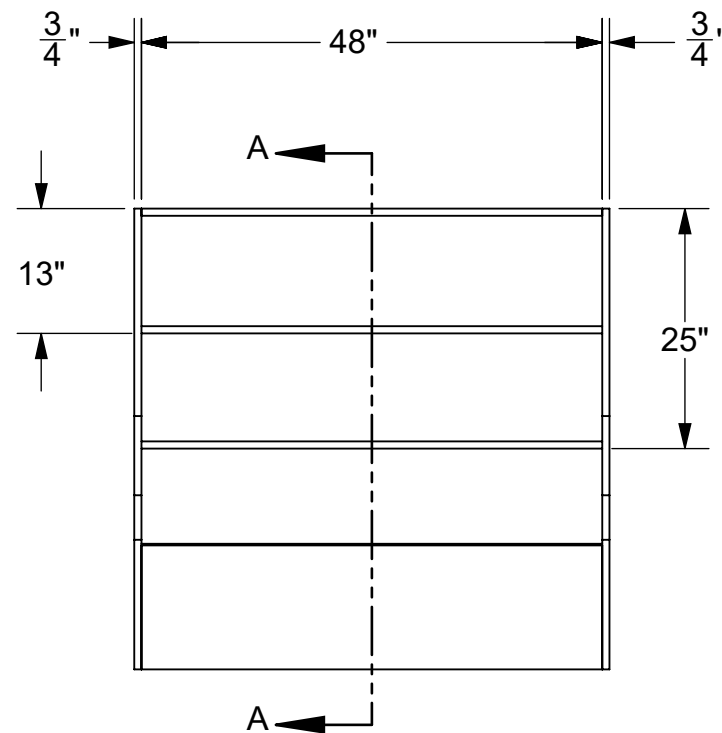
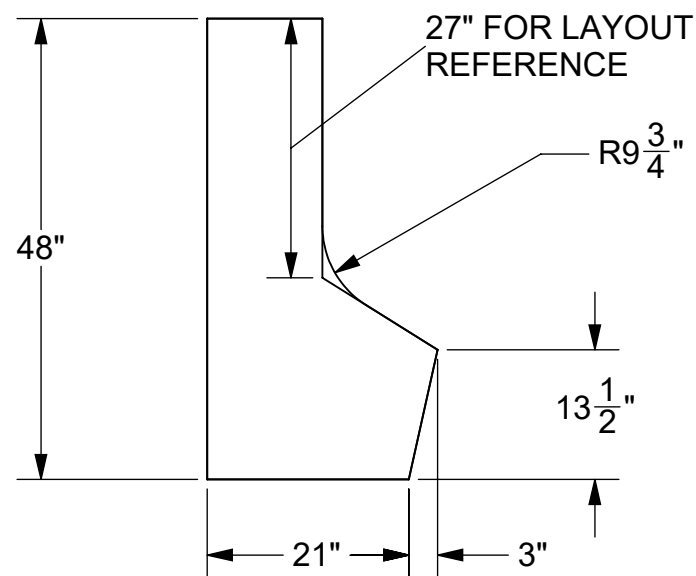
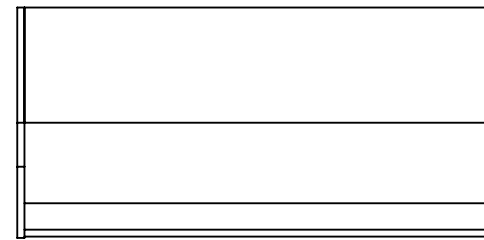
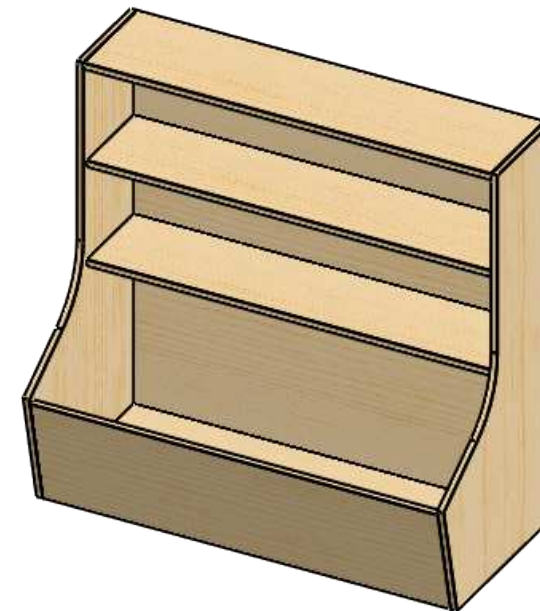
2

3

4

B

B



DETAIL B
SCALE: 1 : 8

SECTION A-A

1. MATERIAL: FINISH GRADE 3/4" PLYWOOD (OPTIONAL: PRIMED)

PROPRIETARY AND CONFIDENTIAL
THE INFORMATION CONTAINED IN THIS DRAWING IS THE SOLE PROPERTY OF SLOW MOTION MAMA. ANY REPRODUCTION IN PART OR AS A WHOLE WITHOUT THE WRITTEN PERMISSION OF SLOW MOTION MAMA IS PROHIBITED.

UNLESS OTHERWISE SPECIFIED:		NAME	DATE	TITLE: BOOK SHELF -TOY BOX	
DIMENSIONS ARE IN INCHES		DRAWN	JB		8-27-2018
TOLERANCES:		CHECKED			
FRACTIONAL ±		ENG APPR.			
ANGULAR: MACH ± BEND ±		MFG APPR.			
TWO PLACE DECIMAL ±		Q.A.			
THREE PLACE DECIMAL ±		COMMENTS:			
INTERPRET GEOMETRIC TOLERANCING PER:				SIZE	
MATERIAL		SEE NOTE 1		DWG. NO.	
FINISH		DO NOT SCALE DRAWING		REV	
				SCALE: 1:20	
				SHEET 1 OF 1	

1

2

3

4

A

A